



**SPECIFICATIONS**

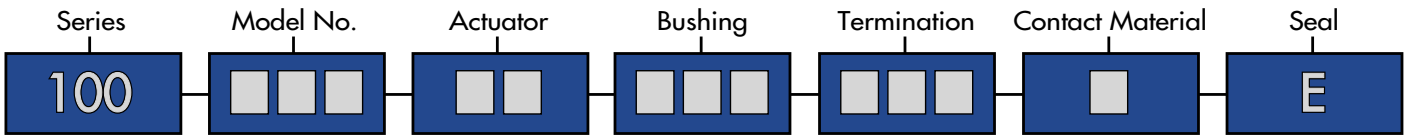
Contact Rating: See contact material options  
 Electrical Life: 50,000 make-and-break cycles at full load  
 Contact Resistance: 10 mΩ max. typical initial @ 2-4 VDC  
 100 mA for both silver and gold plated contacts  
 Insulation Resistance: 1,000 MΩ min.  
 Dielectric Strength: 1,000 V RMS @ sea level  
 Operating Temperature: -30° C to 85° C

**MATERIALS**

Case: Diallyl phthalate (DAP)  
 Toggle Handle: Brass, chrome plated  
 Switch Support: Brass or steel, tin plated  
 Bushing: Brass, nickel plated  
 Housing: Stainless steel  
 Contacts / Terminals: Silver or gold plated copper alloy



HOW TO ORDER



Series	Model No.	Actuator	Bushing	Termination	Contact Material	Seal
100						E
	SP1 SP2 SP3 SP4 SP5 DP1 DP2 DP3 DP4 DP5 DP6 DP7 DP8 3P1 3P2 3P3 3P4 3P5 4P1 4P2 4P3 4P4 4P5 4P6 4P7 4P8	T1* T2 T3 T4 T5 T6 T7 T8 T9  *Optional Toggle Cap (T1 Only): T100-1=White T100-2=Black	B1 B2 B3 B4 B5 B6 B8 B9 B11 B12 B13 B15 B16	M1 M2 M3 M5 M6 M7 VS2 VS3 VS5 M61 M64 M71 VS21 VS31	Q=Silver R=Gold	Epoxy Seal at Base of Terminal

EXAMPLE



SPECIFICATIONS SUBJECT TO CHANGE WITHOUT NOTICE.

MINIATURE TOGGLE SWITCHES



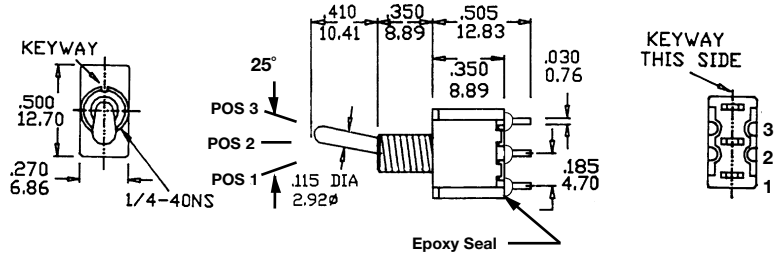
**SPDT**

Model No.	POS 1	POS 2	POS 3
SP-1	ON	NONE	ON
SP-2	ON	NONE	(ON)
SP-3	ON	OFF	ON
SP-4	(ON)	OFF	(ON)
SP-5	ON	OFF	(ON)
Term. Comm.	2-3	OPEN	2-1

Schematic

( ) = Momentary

2 Comm.



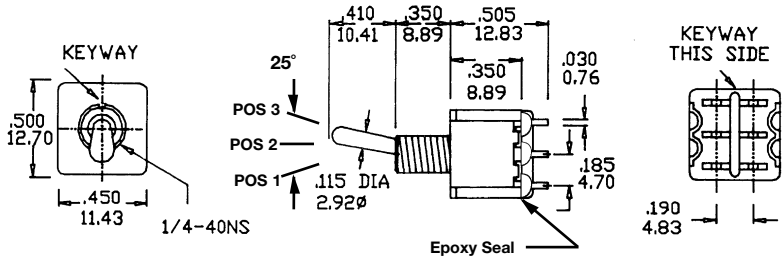
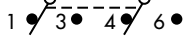
**DPDT**

Model No.	POS 1	POS 2	POS 3
DP-1	ON	NONE	ON
DP-2	ON	NONE	(ON)
DP-3	ON	OFF	ON
DP-4	(ON)	OFF	(ON)
DP-5	ON	OFF	(ON)
DP-6	ON	ON	ON
DP-7	ON	ON	(ON)
DP-8	(ON)	ON	(ON)
Term. Comm.	2-3, 5-6	OPEN	2-1, 5-4

Schematic

( ) = Momentary

2 Comm. 5 Comm.



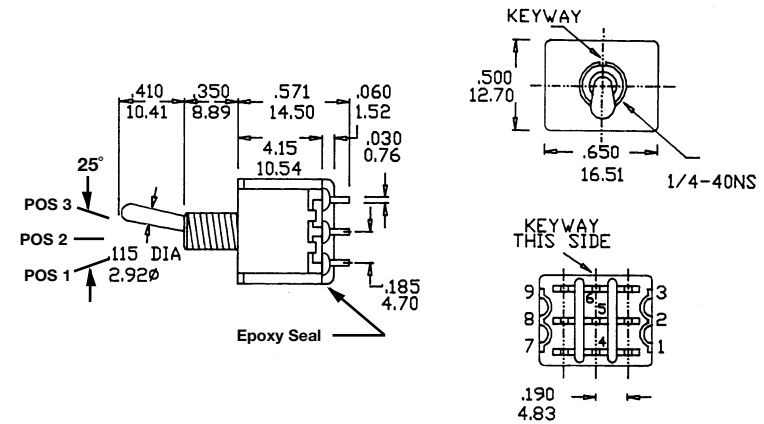
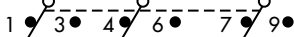
**3PDT**

Model No.	POS 1	POS 2	POS 3
3P-1	ON	NONE	ON
3P-2	ON	NONE	(ON)
3P-3	ON	OFF	ON
3P-4	(ON)	OFF	(ON)
3P-5	ON	OFF	(ON)
Term. Comm.	2-3, 5-6, 8-9	OPEN	2-1, 5-4, 8-7

Schematic

( ) = Momentary

2 Comm. 5 Comm. 8 Comm.



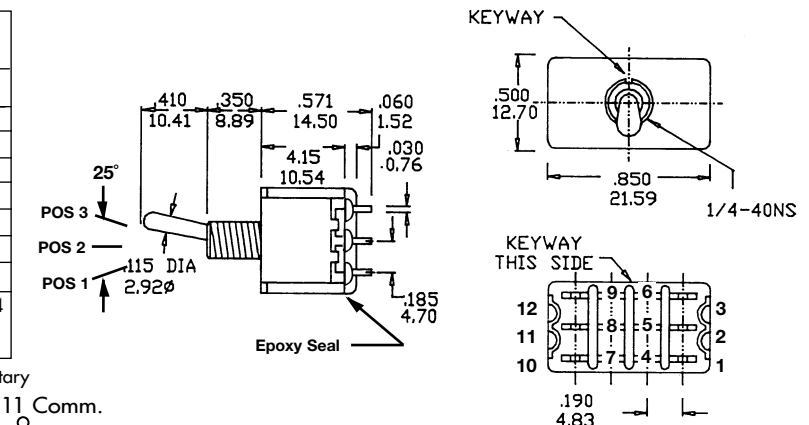
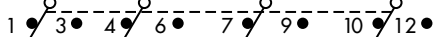
**4PDT**

Model No.	POS 1	POS 2	POS 3
4P-1	ON	NONE	ON
4P-2	ON	NONE	(ON)
4P-3	ON	OFF	ON
4P-4	(ON)	OFF	(ON)
4P-5	ON	OFF	(ON)
4P-6	ON	ON	ON
4P-7	ON	ON	(ON)
4P-8	(ON)	ON	(ON)
Term. Comm.	2-3, 5-6, 8-9, 11-12	OPEN	2-1, 5-4, 8-7, 11-10

Schematic

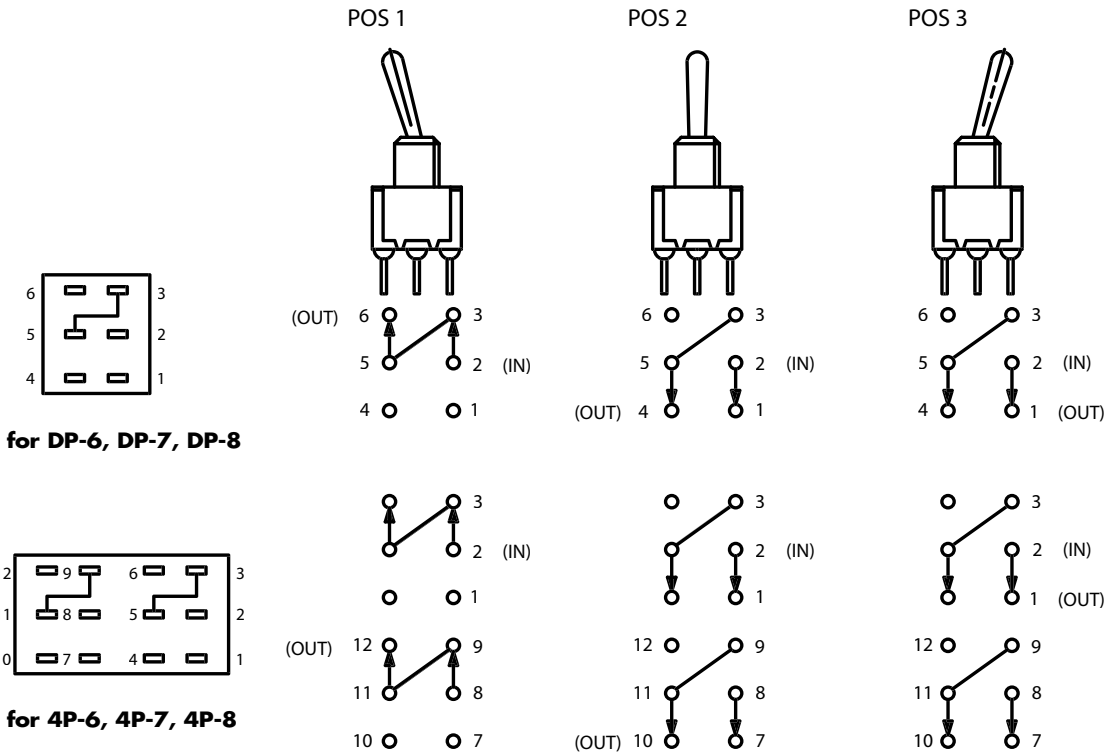
( ) = Momentary

2 Comm. 5 Comm. 8 Comm. 11 Comm.



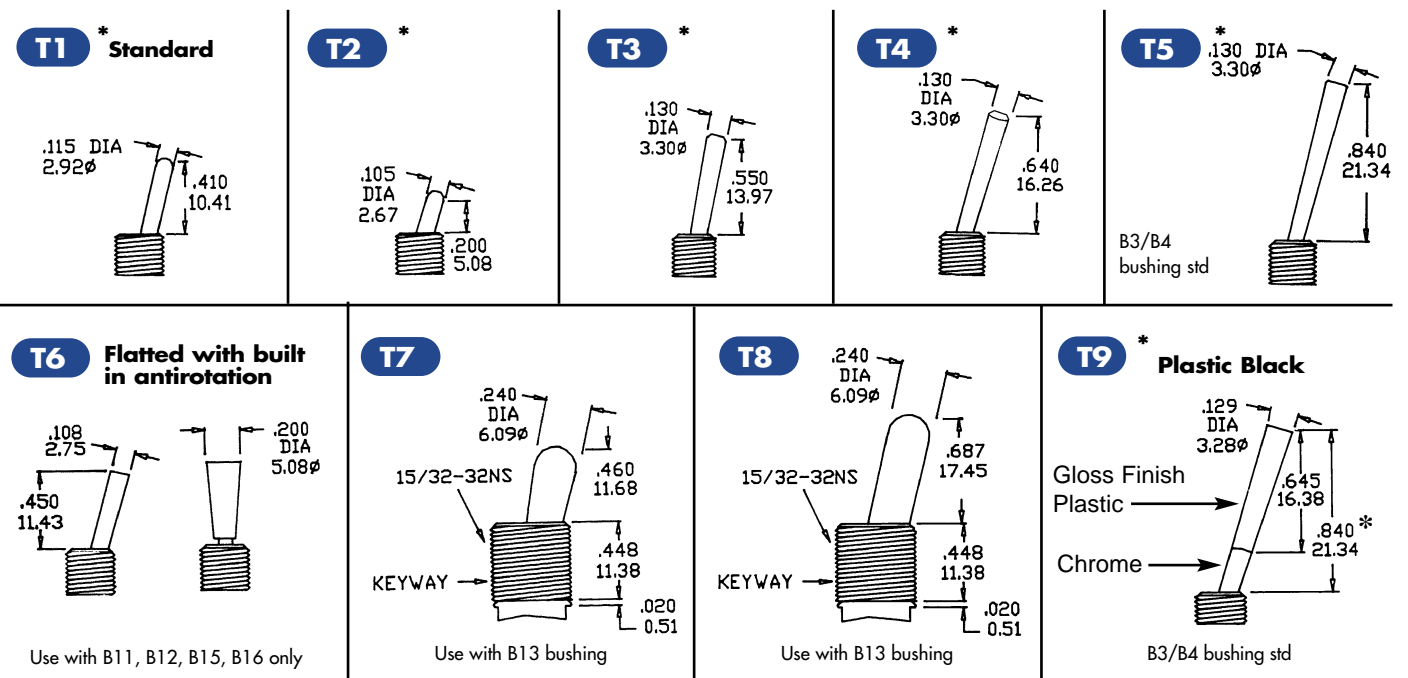
SPECIFICATIONS SUBJECT TO CHANGE WITHOUT NOTICE.

3 - WAY WIRING DIAGRAM SCHEMATICS



SPECIFICATIONS SUBJECT TO CHANGE WITHOUT NOTICE.

ACTUATOR OPTIONS



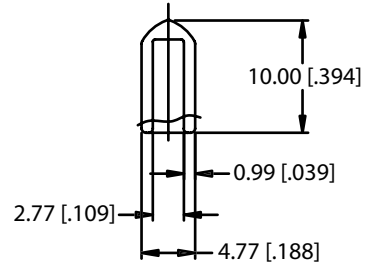
\* Add .070 (1.78) for B3, B4 bushings, subtract .020 (0.51) for B6 bushing.

Optional Toggle Cap



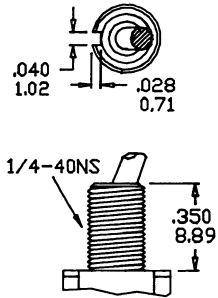
**T100-1 WHITE**  
**T100-2 BLACK**

Use with T1

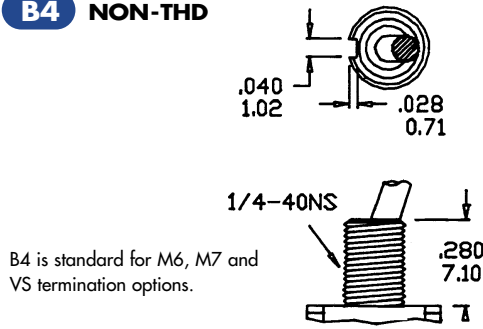


BUSHING OPTIONS

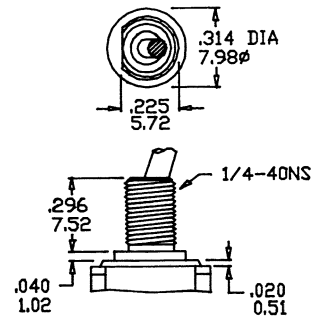
**B1 THD STD**  
**B2 NON-STD**



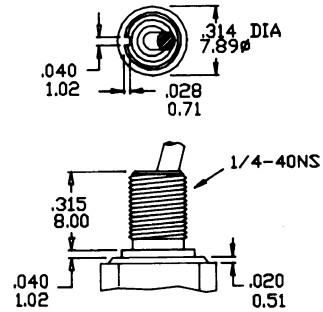
**B3 THD**  
**B4 NON-THD**



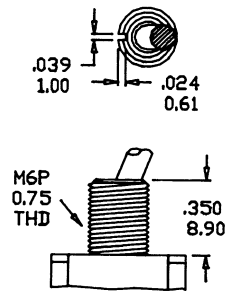
**B5 High Torque**



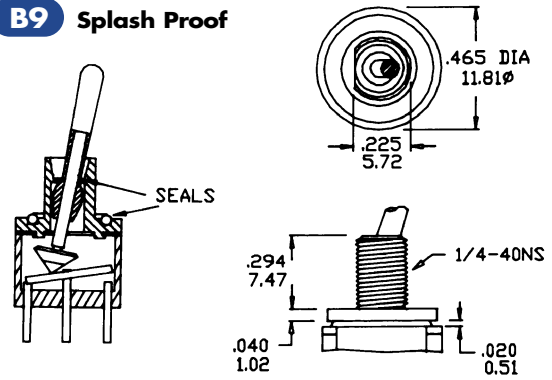
**B6 High Torque**



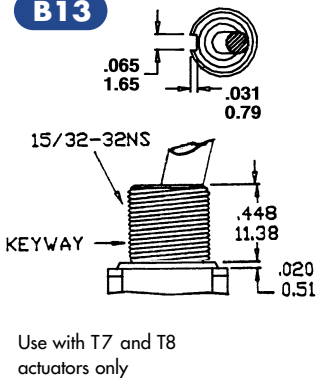
**B8 Metric THD**



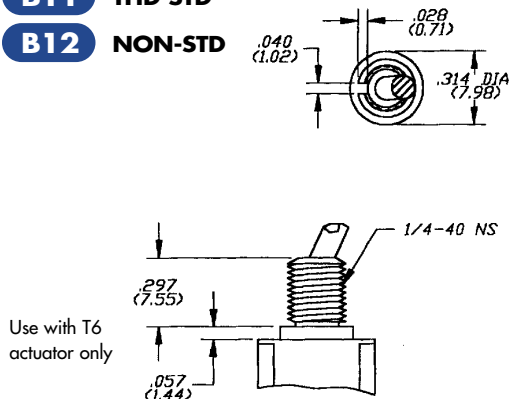
**B9 Splash Proof**



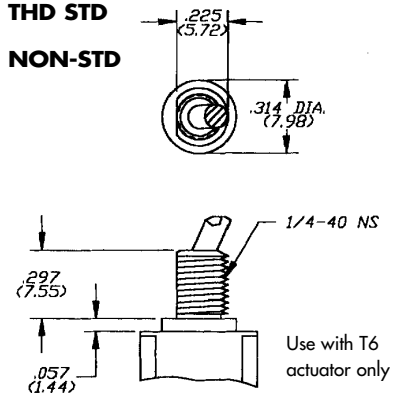
**B13**



**B11 THD STD**  
**B12 NON-STD**



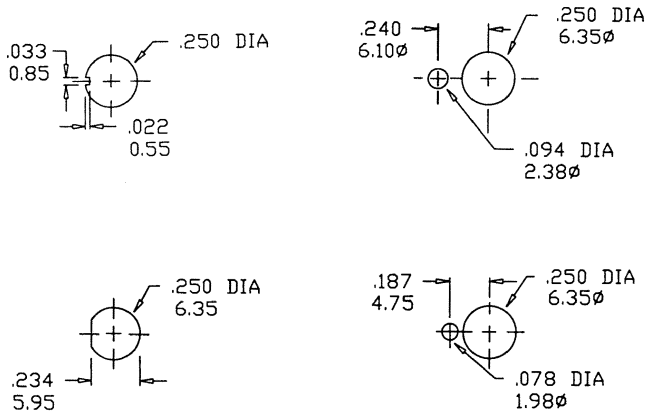
**B15 THD STD**  
**B16 NON-STD**



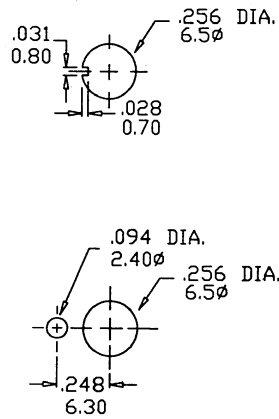
SPECIFICATIONS SUBJECT TO CHANGE WITHOUT NOTICE.

BUSHING OPTIONS - PANEL MOUNTING

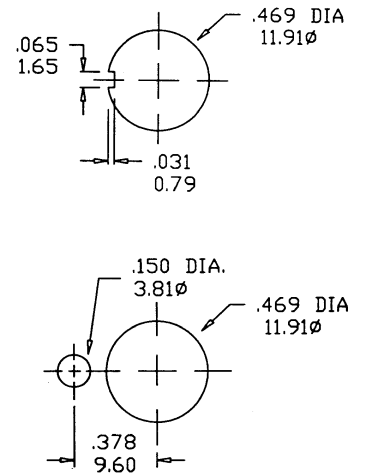
1/4 In. Bushing



Metric Bushing



15/32 In. Bushing

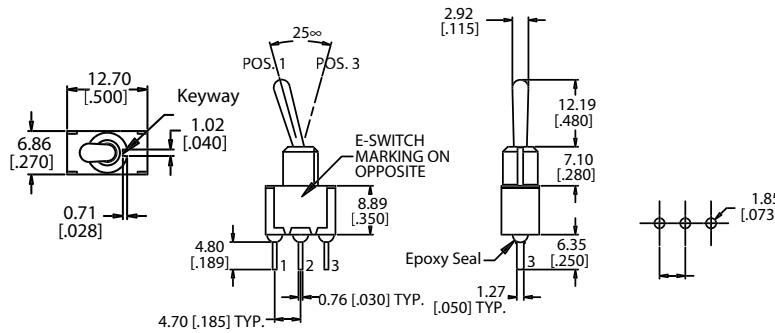


TERMINATION OPTIONS

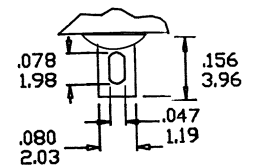
SPECIFICATIONS SUBJECT TO CHANGE WITHOUT NOTICE.



**M2**  
SPDT

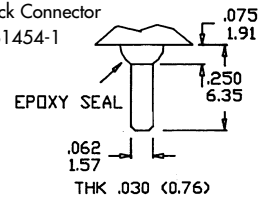


**M1** Solder Lug



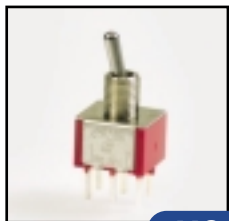
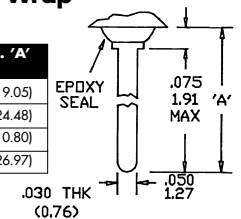
**M3** Quick Connect

Mating Quick Connector  
Amp P/N 61454-1

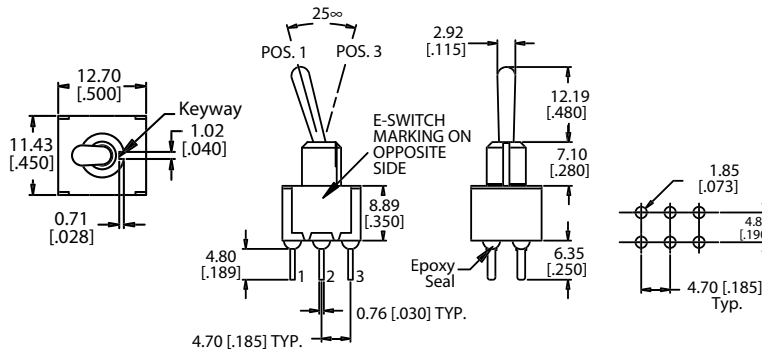


**M5** Wire Wrap

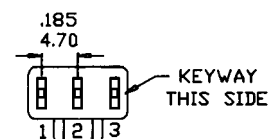
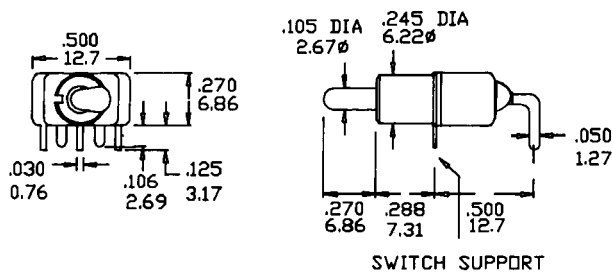
OPTION CODE	DIM. 'A'
M5-1	.750 (19.05)
M5-2	.964 (24.48)
M5-3	.425 (10.80)
M5-4	.062 (26.97)



**M2**  
DPDT

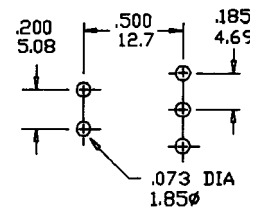


**M6**  
SPDT



TERM. NOS. FOR  
REFERENCE ONLY

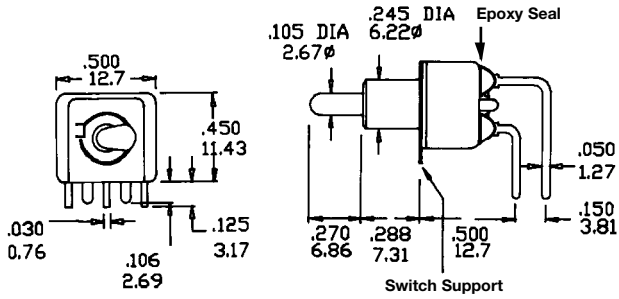
P.C. MOUNTING



MINIATURE TOGGLE SWITCHES

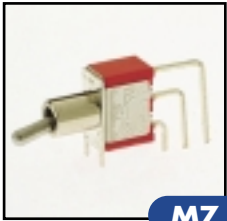
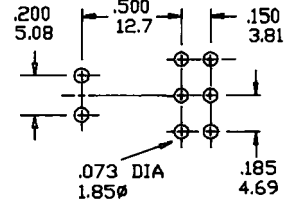


**M6**  
DPDT

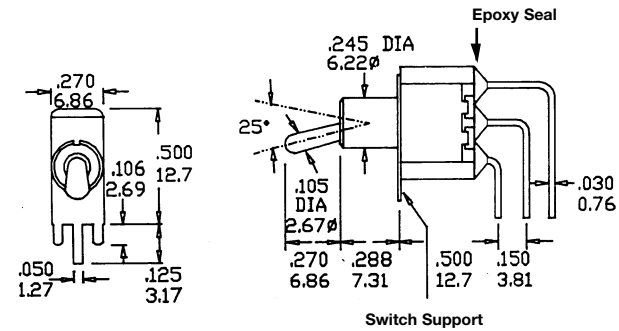


TERM. NOS. FOR REFERENCE ONLY

P.C. MOUNTING

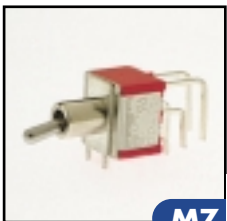
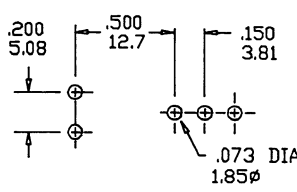


**M7**  
SPDT

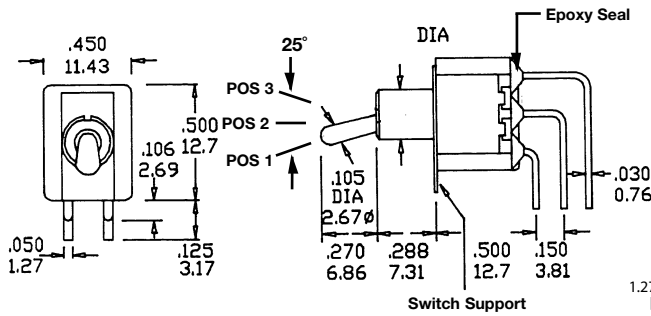


TERM. NO. FOR REFERENCE ONLY

P.C. MOUNTING

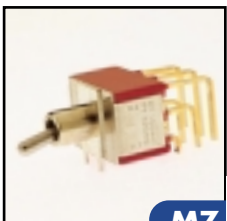
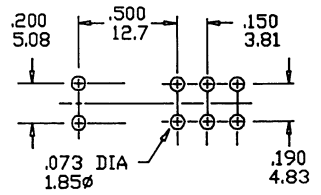


**M7**  
DPDT

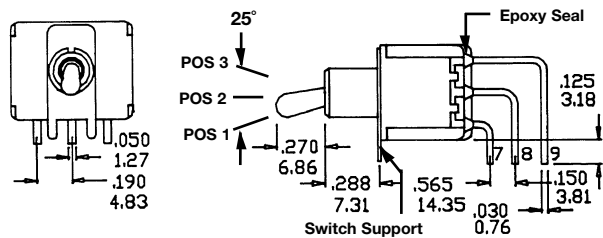


1.27 X 0.76 THK. (.050 X .030) (3 PL)  
EPOXY SEAL

P.C. MOUNTING

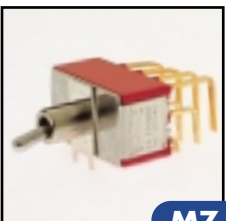
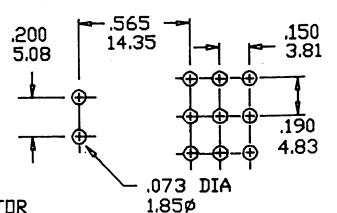


**M7**  
3PDT

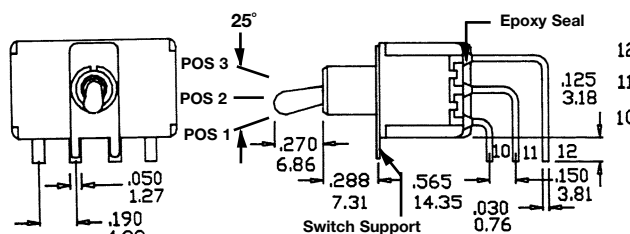


TERM. NOS. FOR REFERENCE ONLY

P.C. MOUNTING

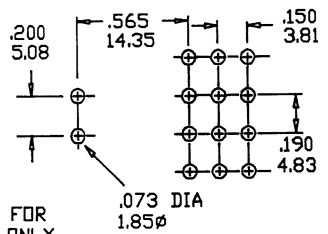


**M7**  
4PDT



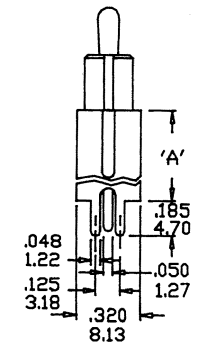
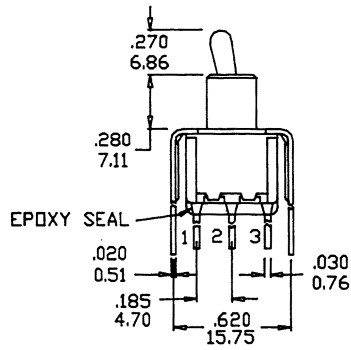
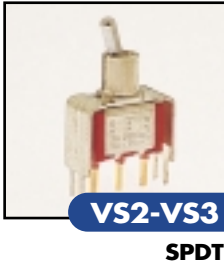
TERM. NOS. FOR REFERENCE ONLY

P.C. MOUNTING



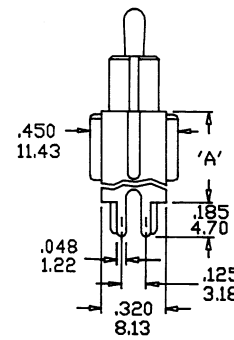
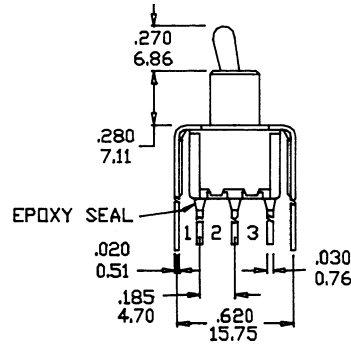
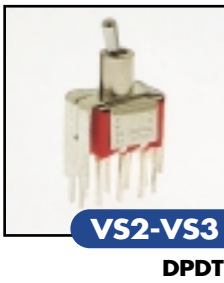
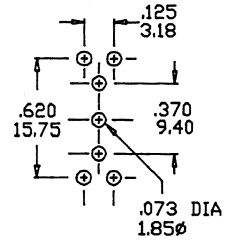
SPECIFICATIONS SUBJECT TO CHANGE WITHOUT NOTICE.





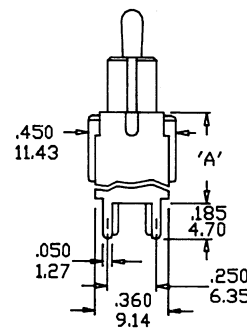
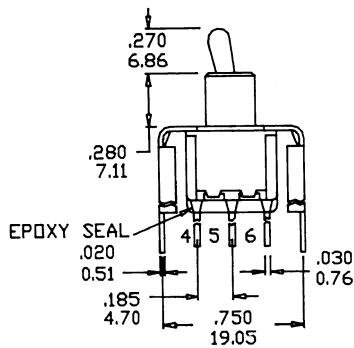
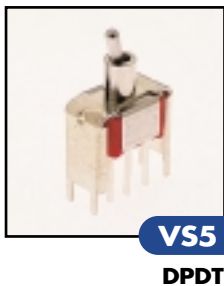
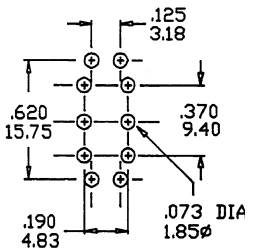
OPTION CODE	DIM. 'A'
VS2	.460 (11.68)
VS3	.630 (16.00)

P.C. MOUNTING



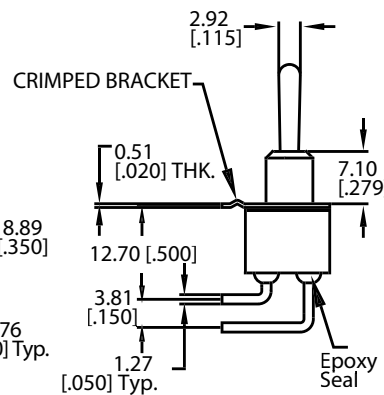
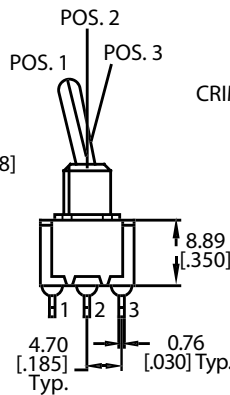
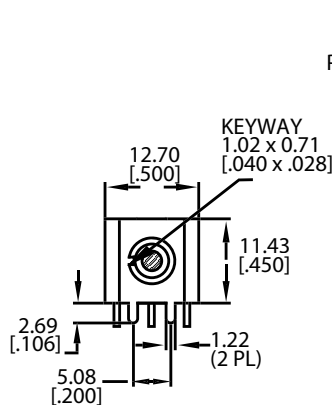
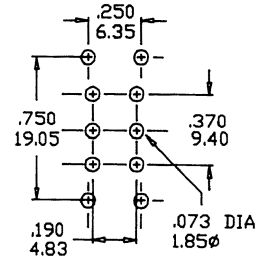
OPTION CODE	DIM. 'A'
VS2	.460 (11.68)
VS3	.630 (16.00)

P.C. MOUNTING

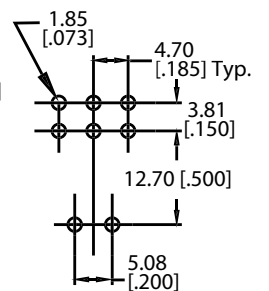


OPTION CODE	DIM. 'A'
VS5	.630 (16.00)

P.C. MOUNTING



P.C. MOUNTING

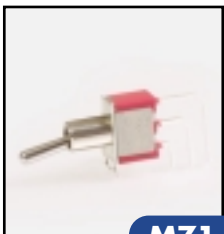
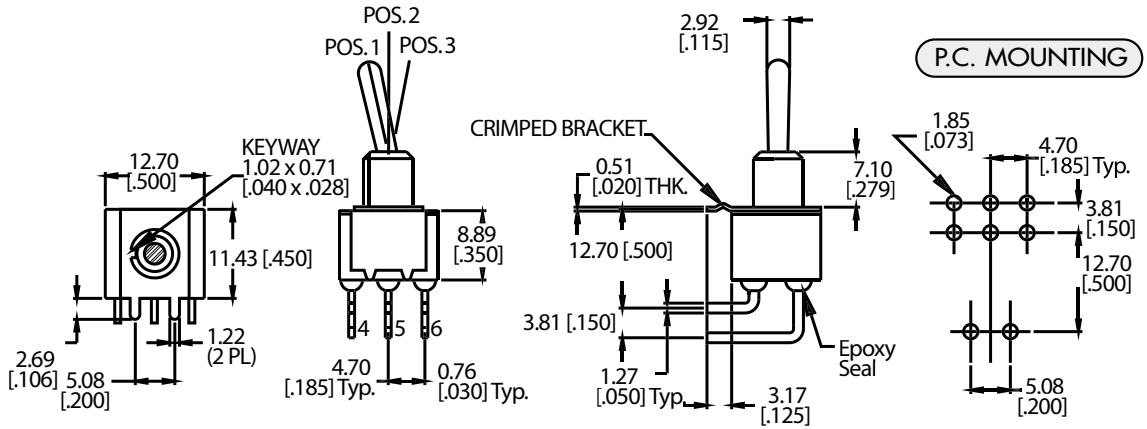


SPECIFICATIONS SUBJECT TO CHANGE WITHOUT NOTICE.

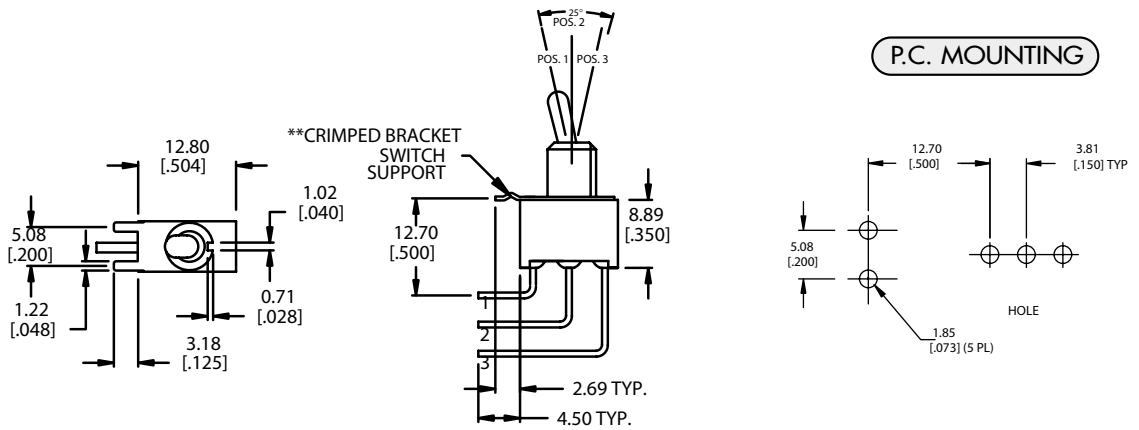
MINIATURE TOGGLE SWITCHES



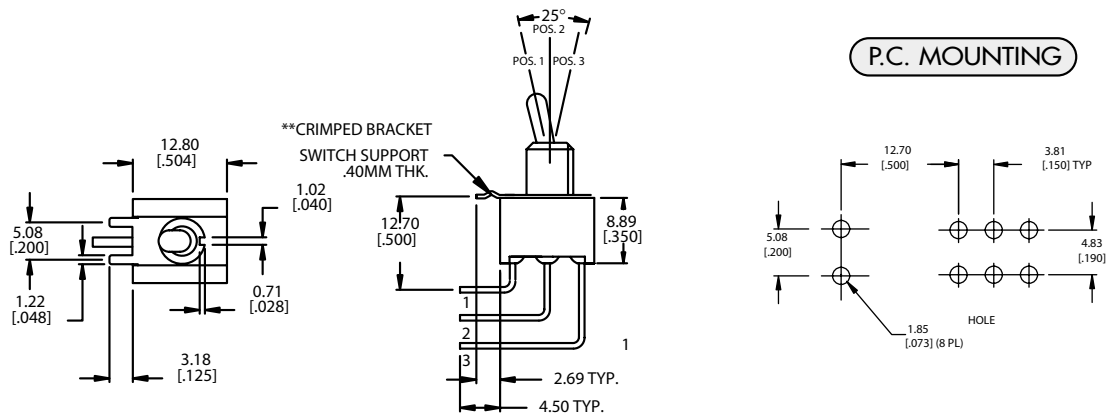
**M61**  
DPDT



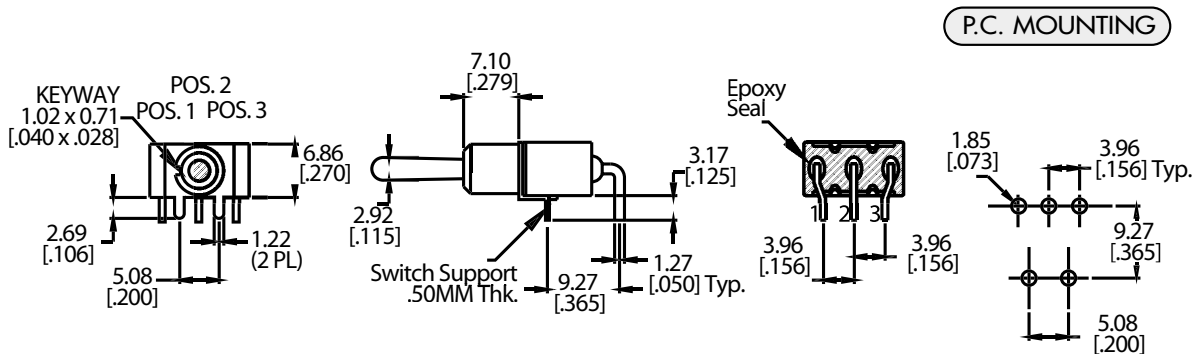
**M71**  
SPDT



**M71**  
DPDT



**M64**  
SPDT

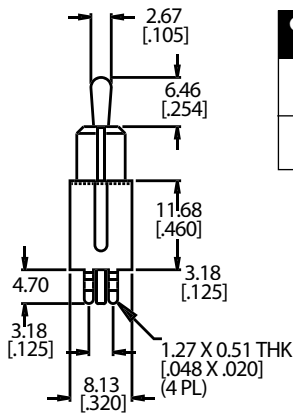
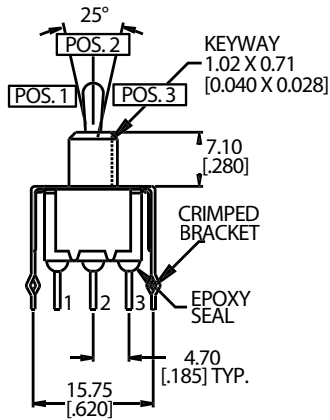






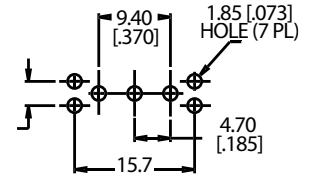
VS21-VS31

SPDT



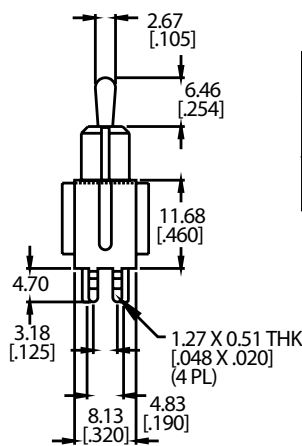
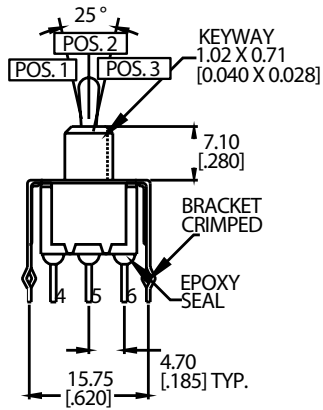
OPTION CODE	DIM. 'A'
VS2	.460 (11.68)
VS3	.630 (16.00)

P.C. MOUNTING



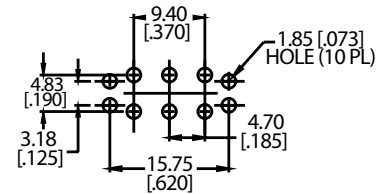
VS21-VS31

DPDT



OPTION CODE	DIM. 'A'
VS2	.460 (11.68)
VS3	.630 (16.00)

P.C. MOUNTING



CONTACT MATERIAL OPTIONS

**Q**

**Fixed Terminal:** Silver plated over copper alloy  
**Moving Contact:** Silver plated over copper alloy  
**Rating:** 5 Amps with resistive load @ 120VAC or 28VDC;  
 2 Amps with resistive load @ 250VAC

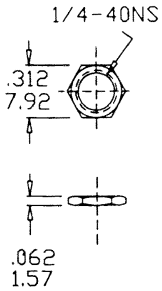
**R**

**Fixed Terminal:** Copper alloy with gold plate over nickel plate  
**Moving Contact:** Copper alloy with gold plate over nickel plate  
**Rating:** 0.4 Volt-Amps (VA) max. @ 20V max. (AC or DC)

SPECIFICATIONS SUBJECT TO CHANGE WITHOUT NOTICE.

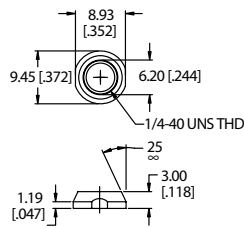
HARDWARE

**HDW2** 1/4 In. Nuts

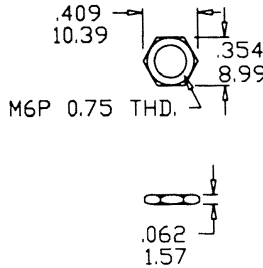


Supplied standard with B1, B3, B5, B6 and B9 options

**HDW5** Blind Dressnut

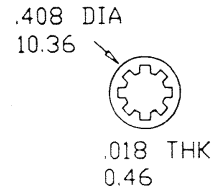


**HDW6** Metric Nut



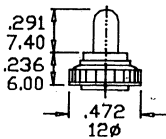
Supplied standard with B8 metric bushing

**HDW11** Lock Washer



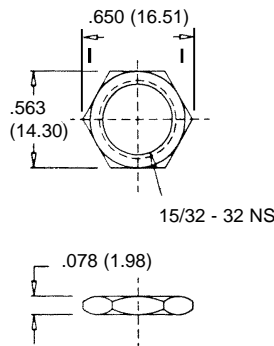
Supplied standard with B3/B4 bushing

**Optional Rubber Hood Sealing**



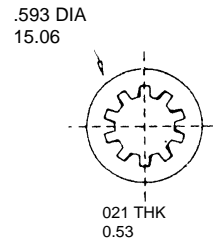
K1= Metric  
E1= Inch (Std.)  
for actuator T1, T2 and bushings B1, B3, B5, B6

**HDW4** 15/32 In. Nuts



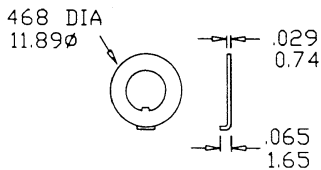
Supplied standard with B13 bushing

**HDW12** Lock Washer



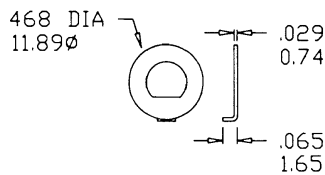
Supplied standard with B13 bushing

**HDW15** Locking Ring



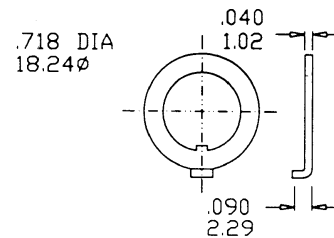
Supplied standard

**HDW16** Locking Ring



Supplied with B5 bushing

**HDW17** Locking Ring



Supplied with B13 bushing

SPECIFICATIONS SUBJECT TO CHANGE WITHOUT NOTICE.